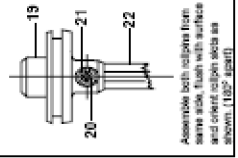


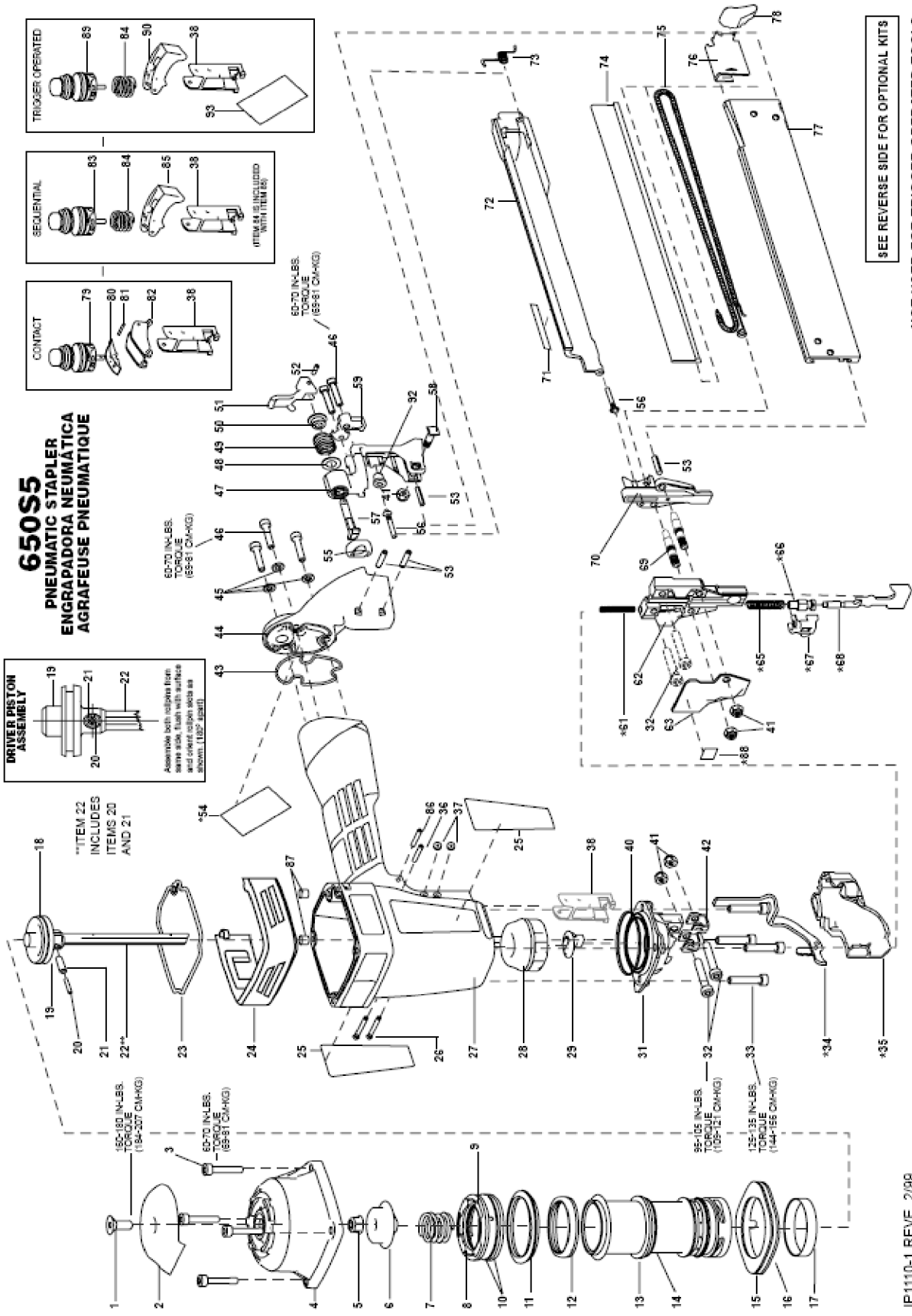
# 650S5

**PNEUMATIC STAPLER**  
**ENGRAPADORA PNEUMÁTICA**  
**AGRAFEUSE PNEUMÁTICA**

**DRIVE PISTON ASSEMBLY**



Assemble both rollers from same side. Flush with surface and orient rollers side as shown. (180° apart)



SEE REVERSE SIDE FOR OPTIONAL KITS

\* NOT USED FOR TRIGGER OPERATED TOOLS

Item#	Illus.#	Description
105749	0001	SCREW,SFHCS,M8x1.25x20
104585	0002	DEFLECTOR
102755	0003	SCREW,SHCS,M5X0.80X30
105787	0004	CAP,FRAME CYL.
103859	0005	NUT,HFN,M8X1.25
105812	0006	BUMPER,TOP,650
103767	0007	SPRING,HEAD VALVE
104569	0008	VALVE,HEAD
MRG039231	0009	O-RING,1.543X.125
105814	0010	O-RING,1.929X.098
112729	0011	RETAINER,CYL.SLEEVE
104594	0012	SEAL,CYLINDER
105816	0013	O-RING,1.674X.103
105796	0014	CYLINDER
105815	0015	O-RING,2.359X.139
104580	0016	RING,CYLINDER SLEEVE
104588	0017	SEAL,CHECK
105817	0018	O-RING,1.234x.139 URETHAN
103881	0019	PISTON
UB2111.2	0020	PIN,SPRING,.125X.69
UB4809.1	0021	PIN,SPRING,.219X.69
106079	0022	KIT,DRIVER REPLACEMENT-65
104620	0023	SEAL,CYLINDER CAP
107148	0024	PROTECTOR,FRAME
115529	0025	ASSEMBLY,LABEL
105811	0026	SCREW,TRIGGER PIVOT
107183	0027	FRAME,OVERMOLD
104574	0028	BUMPER,BOTTOM
103803	0029	GUIDE,DRIVER,50S5
104609	0031	FRAME,BOTTOM
MSC6100-35	0032	SCREW,SHCS,M6X1.00X35
MSC6100-30	0033	SCREW,SHCS,M6X1.00X30
105775	0034	ARM,UPPER CONTACT ASSY
105818	0035	COVER,CONTACT ARM ASSY
100298	0036	PIN,SPIRAL M3X30
MHE3050-100	0037	NUT,NYLON M3X.50
106954	0038	UPPER TRIP GUIDE ASSY,650
851483	0040	O-RING,1.739X.070
MHE6100-100	0041	NUT,ESN M6X1
105782	0042	BRACE,LUG
104619	0043	SEAL,END CAP
105789	0044	CAP,FRAME END
T50118	0045	WASHER,PLAIN
MSC5080-25	0046	SCREW,SHCS,M5X0.80X25
103786	0047	CAP,MAGAZINE END
104612	0048	WASHER
105786	0049	SPRING,LATCH LEVER
103806	0050	BUSHING,SPRING
103447	0051	TOGGLE,MAGAZINE
MPG030012	0052	PIN,SPRING,M3X12MM
103858	0053	PIN,SPRING,4X20MM
159918	0054	LABEL,WARNING,650/750/850
103795	0055	DISC,LATCH STOP
103768	0056	PIN,MAGAZINE COVER
105780	0057	PIN,LATCH
103851	0058	BOLT,SQUARE(SPECIAL)

103776	0059	MAGAZINE STOP
107310	0061	SPRING,C.T.,INNER
107219	0062	NOSE,650S5
103871	0063	COVER,CONTACT ARM
105784	0065	SPRING,C.T.,OUTER-650
103865	0066	NUT,ADJUSTING
103864	0067	ADAPTER
103793	0068	ARM,LOWER CONTACT
103838	0069	PIN,NOSE
103873	0070	CORE TIP,650S5
105799	0071	LABEL,MODEL,650S5
104600	0072	COVER,MAGAZINE
103839	0073	SPRING,TORSION
103812	0074	COVER,CORE,S5
104613	0075	SPRING,PUSHER ASSEMBLY
103846	0076	PUSHER,S5
105793	0077	CORE ASSEMBLY
103791	0078	HANDLE,PUSHER
STV2	0079	KIT,TRIGGER VALVE-SPEED
T55092	0080	ROCKER,TRIGGER
MPD016012	0081	PIN,DOWEL,.062X.459
100607	0082	ASSEMBLY,TRIGGER
TVA6	0083	KIT,TRIGGER VALVE
100387	0084	SPRING,COMPRESSION
SEQ6	0085	KIT,SEQUENTIAL
MPP030020	0086	PIN,SPIRAL M3X20MM
105778	0087	SLEEVE,FRAME GUARD
851934	0088	LABEL, TRIP ADJ.
106869	0089	KIT,TRIGGER VALVE
107191	0090	TRIGGER OPER TRIGGER ASSY
106961	0092	BEARING,COVER PIN
159927	0093	LABEL,WARNING,T.O.
107306	0094	KIT,WEIGHT ATTACHMENT-650
108073	0095	KIT,LONG MAG 650S5