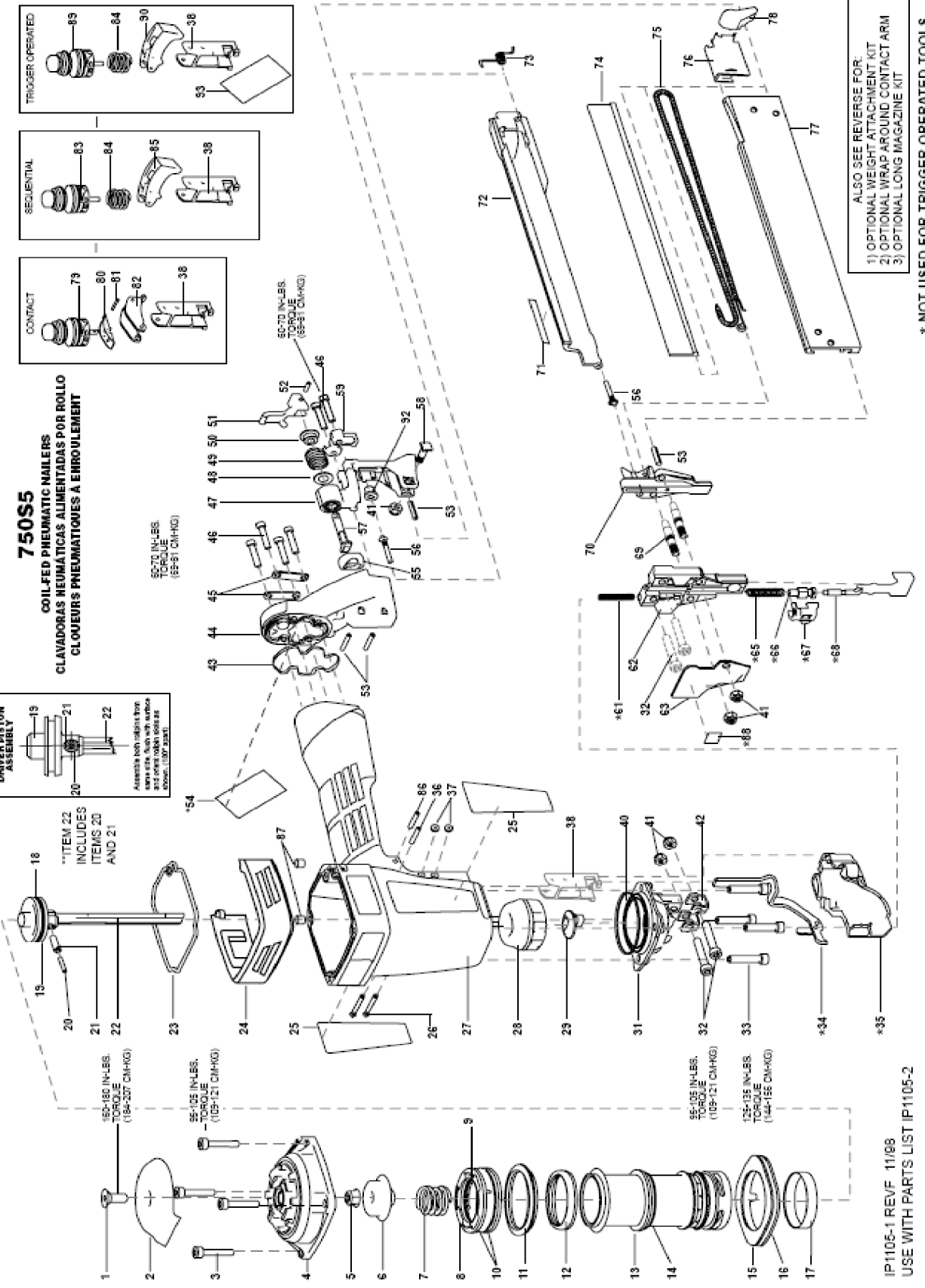
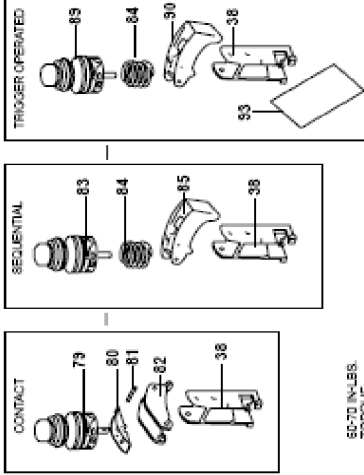
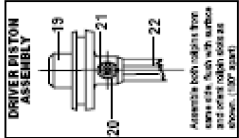


750S5

COIL-FED PNEUMATIC NAILERS
 CLAVADORAS NEUMÁTICAS ALIMENTADAS POR ROLLO
 CLOUEURS PNEUMATIQUES À ENROULEMENT



ALSO SEE REVERSE FOR:
 1) OPTIONAL WEIGHT ATTACHMENT KIT
 2) OPTIONAL WRAP AROUND CONTACT ARM
 3) OPTIONAL LONG MAGAZINE KIT

* NOT USED FOR TRIGGER OPERATED TOOLS

IP1105-1 REV.F 11/88
 USE WITH PARTS LIST IP1105-2

Item#	Illus.#	Description
105749	0001	SCREW,SFHCS,M8x1.25x20
103785	0002	DEFLECTOR
MSC6100-30	0003	SCREW,SHCS,M6X1.00X30
103816	0004	CAP,FRAME
103859	0005	NUT,HFN,M8X1.25
103760	0006	BUMPER,TOP
103767	0007	SPRING,HEAD VALVE
103761	0008	VALVE, HEAD
MRG041630	0009	O-RING,1.638X.118
103813	0010	O-RING,2.217X.103
103818	0011	RETAINER,CYL.SLEEVE
103814	0012	SEAL,CYLINDER
850006	0013	O-RING,1.987X.103
104597	0014	CYLINDER
851753	0015	O-RING,2.734X.139
104605	0016	RING,CYLINDER SLEEVE
103862	0017	GARTER BAND
103826	0018	O-RING,PISTON,URETHANE
103759	0019	PISTON,T55
UB2111.2	0020	PIN,SPRING,.125X.69
UB4809.1	0021	PIN,SPRING,.219X.69
106075	0022	KIT,DRIVER REPLACEMENT-75
103802	0023	SEAL,CAP
107149	0024	PROTECTOR,FRAME
115423	0025	ASSEMBLY,LABEL
105811	0026	SCREW,TRIGGER PIVOT
107180	0027	FRAME OVERMOLD
103758	0028	BUMPER,BOTTOM
103803	0029	GUIDE,DRIVER,50S5
103782	0031	FRAME,BOTTOM
MSC6100-35	0032	SCREW,SHCS,M6X1.00X35
MSC6100-30	0033	SCREW,SHCS,M6X1.00X30
105773	0034	ARM,UPPER CONTACT ASSY
105808	0035	COVER,CONTACT ARM ASSEMBLY
100298	0036	PIN,SPIRAL M3X30
MHE3050-100	0037	NUT,NYLON M3X.50
106953	0038	UPPER TRIP GUIDE ASSY
RG198907-1	0040	O-RING,1.989X0.070
MHE6100-100	0041	NUT,ESN M6X1
105782	0042	BRACE,LUG
103808	0043	SEAL,END CAP
104602	0044	CAP,FRAME END
103819	0045	RETAINER,END CAP
MSC5080-25	0046	SCREW,SHCS,M5X0.80X25
103786	0047	CAP,MAGAZINE END
104612	0048	WASHER
105786	0049	SPRING,LATCH LEVER
103806	0050	BUSHING,SPRING
103447	0051	TOGGLE,MAGAZINE
MPG030012	0052	PIN,SPRING,M3X12MM
103858	0053	PIN,SPRING,4X20MM
159918	0054	LABEL,WARNING,650/750/850
103795	0055	DISC,LATCH STOP
103768	0056	PIN,MAGAZINE COVER
105780	0057	PIN,LATCH
103851	0058	BOLT,SQUARE(SPECIAL)

103776	0059	MAGAZINE STOP
107310	0061	SPRING,C.T.,INNER
107221	0062	NOSE,750S5
103871	0063	COVER,CONTACT ARM
105776	0065	SPRING,C.T.,OUTER
103865	0066	NUT,ADJUSTING
103864	0067	ADAPTER
103792	0068	ARM,LOWER CONTACT
103838	0069	PIN,NOSE
103828	0070	CORE TIP,750S5
105802	0071	LABEL,MODEL 750S5
104600	0072	COVER,MAGAZINE
103839	0073	SPRING,TORSION
103812	0074	COVER,CORE,S5
104613	0075	SPRING,PUSHER ASSEMBLY
103846	0076	PUSHER,S5
105793	0077	CORE ASSEMBLY
103791	0078	HANDLE,PUSHER
STV2	0079	KIT,TRIGGER VALVE-SPEED
T55092	0080	ROCKER,TRIGGER
MPD016012	0081	PIN,DOWEL,.062X.459
100607	0082	ASSEMBLY,TRIGGER
TVA6	0083	KIT,TRIGGER VALVE
100387	0084	SPRING,COMPRESSION
SEQ6	0085	KIT,SEQUENTIAL
MPP030020	0086	PIN,SPIRAL M3X20MM
105821	0087	SLEEVE,FRAME GUARD
851934	0088	LABEL, TRIP ADJ.
106869	0089	KIT,TRIGGER VALVE
107191	0090	TRIGGER OPER TRIGGER ASSY
106961	0092	BEARING,COVER PIN
159927	0093	LABEL,WARNING,T.O.
107205	0094	KIT,WEIGHT ATTACHMENT
107596	0095	ARM,WRAP AROUND CT-750
108075	0096	KIT,LONG MAG 750S5