

DUO-FAST
NAILERS STAPLERS FASTENERS

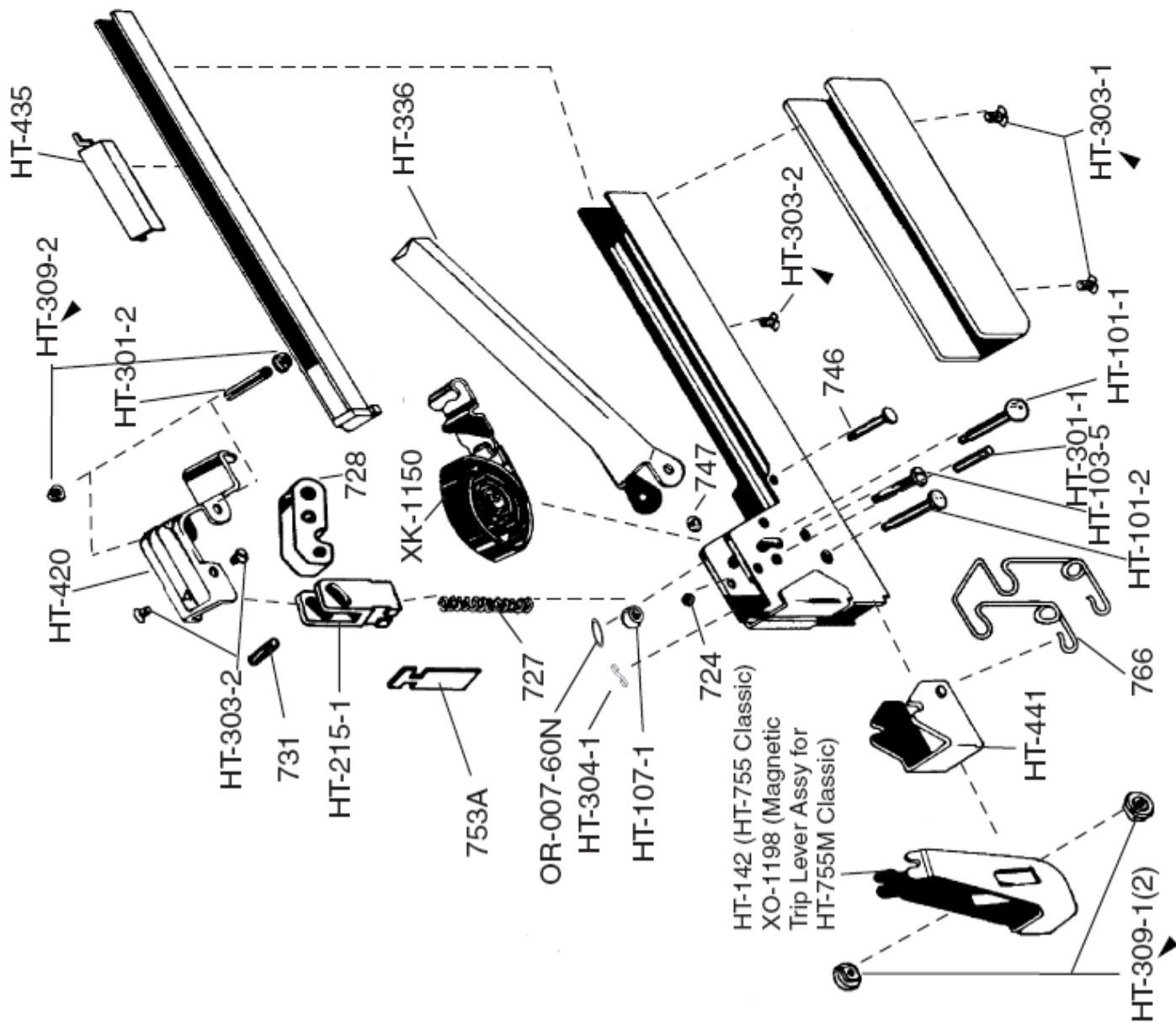
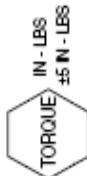
Hammer Stapler

HT-755 CLASSIC HT-755M CLASSIC
1013291

06/02

© 2002 DUO-FAST Corporation

HT-195-755(M) CLASSIC



▲ DENOTES CHANGE

TOOLS MUST BE REPAIRED ONLY WITH FACTORY AUTHORIZED PARTS
SIEMPRE REPARA LAS HERRAMIENTAS SOLAMENTE CON PARTES DE REPUESTO AUTORIZADAS POR DUO-FAST

HT-755 CLASSIC
HT-755M CLASSIC

<u>UNIQUE #</u>	<u>PART NO.</u>	<u>DESCRIPTION</u>	<u>REPLACES</u>
0380279	HT-303-2	SCREW (5)	
1014182	HT-435	FEEDER BAR COMPLETE	
0380501	724	FEEDER SPRING STUD NUT	
0380527	727	PLUNGER SPRING	
0380535	728	PLUNGER CAM	
0380592	731	PLUNGER LINK PIN	
1013643	HT-303-1	GRIP SCREW	
0380758	746	HANDLE LID STUD	
0380766	747	HANDLE LID WASHER	
0380873	* HT-309-1	TRIP LEVER BUSHING COMPLETE (2)	762
0380907	766	JAW RELEASE SPRING	
0380949	* HT-309-2	HAMMER CAP STUD KNOB (2)	771
1014000	HT-301-1	PLUNGER CAM ROLL PIN	
0380790	753A	DRIVER BLADE	
0380931	HT-301-2	HAMMER CAP STUD ROLL PIN	
0165662	HT-101-1	TRIP LEVER PIN	
1011949	HT-101-2	FRONT JAW PIN	
1013313	HT-103-5	FEEDER SPRING STUD	
0173807	HT-107-1	TRIP LEVER PIN KNOB	
1011947	HT-142*	TRIP LEVER ASSEMBLY	
1013294	HT-215-1	PLUNGER BODY	
1013641	HT-304-1	SPLIT RING	
1013203	HT-336	HANDLE LID	
1013651	HT-410-2	HANDLE GRIP	
1013207	HT-420	HAMMER CAP	
1013209	HT-441	FRONT JAW	
0393801	OR-007-60N	O-RING	
0456772	XA-1011	SAFETY GLASSES, CLEAR	
0277806	XA-1022	SAFETY GLASSES, TINTED	
0078519	XH-108-19	WARNING LABEL	
0536664	XK-1150	FEEDER SPRING COMPLETE	
*1013134	XO-1198	*UNIQUE FOR HT-755M CLASSIC MAGNETIC TRIP LEVER ASSY	