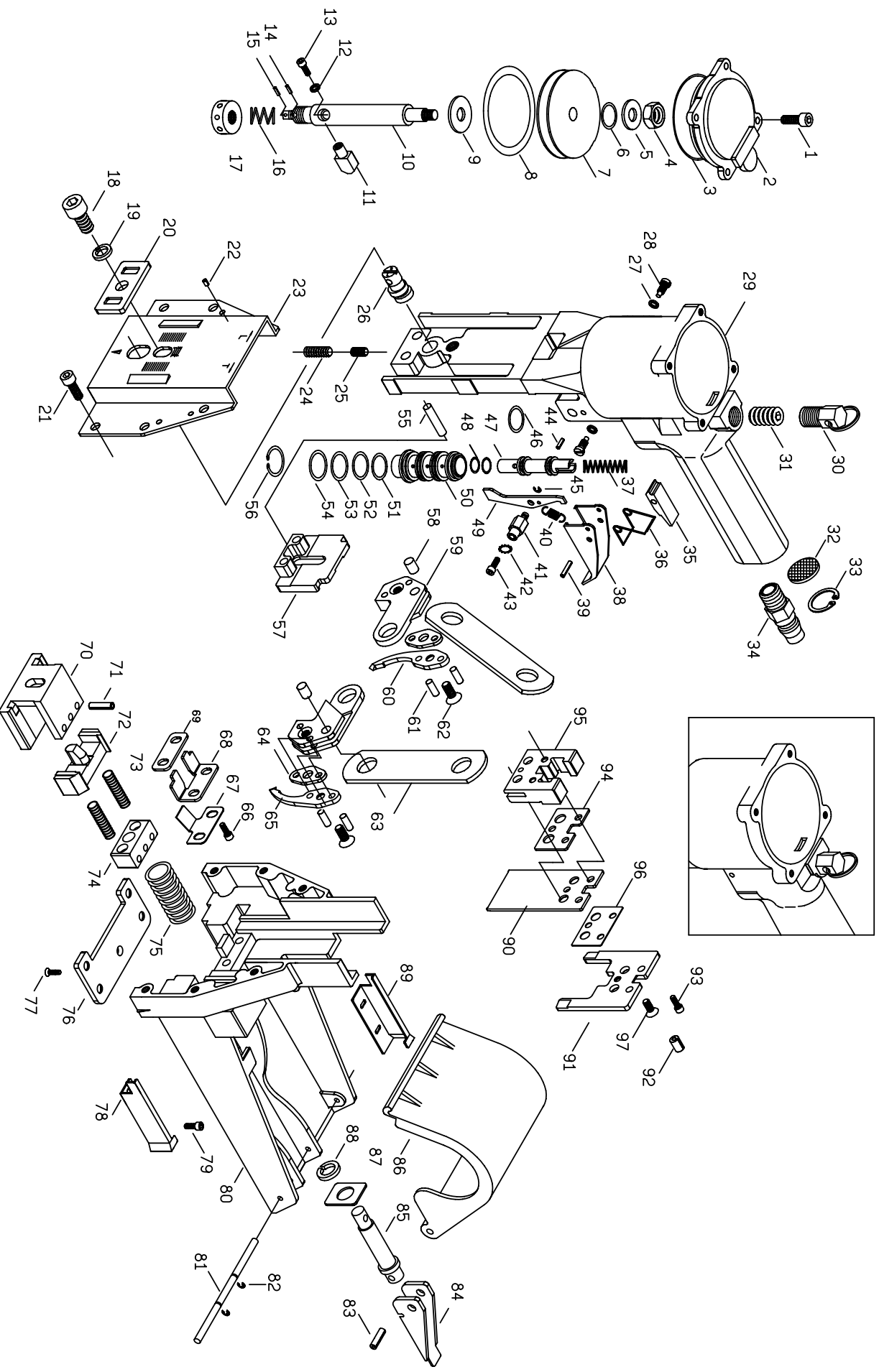


D61ADC
 PNEUMATIC CARTON CLOSER
 GRAPADORA NEUMÁTICA PARA CARTÓN
 AGRAFEUSE PNEUMATIQUE POUR CARTON



Item#	Illus.#	Description
BAC0604142	0001	SCREW,HEX.SOC.HD.
A01200110	0002	CYLINDER HEAD
BAB017537	0003	O-RING
BAD02061	0004	HEX.NUT
BAT03061	0005	WASHER
BAB017076	0006	O-RING
A02800201	0007	PISTON
BAB057476	0008	O-RING
A00104101	0009	WASHER
A02800301	0010	ROD,PISTON
A00100401	0011	CAM PIN
BAE01042	0012	SPRING WASHER
BAC0404082	0013	SCREW,HEX.SOC.HD.
A00104901	0014	PLASTIC PIN
BAA025014	0015	SPRING PIN
A00100501	0016	SPRING
A00100601	0017	NUT,ADJ.
BAC0408162	0018	SCREW,HEX.SOC.HD.
BAE01082	0019	SPRING WASHER
A00101901	0020	PLATE,ADJ.
BAC0605142	0021	SCREW,HEX.SOC.HD.
BAA030010	0022	SPRING PIN
A01102501	0023	BRACKET,FRONT
BAC0306142	0024	HEX.SOC.HDLESS BOLT
BAG010602	0025	HELI-COIL
A00101801	0026	PIN,PIVOT
BAE01042	0027	SPRING WASHER
A00104401	0028	SCREW,TRIGGER
A01200403	0029	CYLINDER
C0011201	0030	COUNTER BALANCER HANGER
BAC0312122	0031	HEX.SOC.HDLESS BOLT
BAI1401	0032	SILENCER
BAF22002	0033	RING,RETAINER
A00100802	0034	AIR PLUG
A00100902	0035	ROCKER
A00101001	0036	SPRING
A00101501	0037	SPRING
A00101101	0038	TRIGGER
BAA030020	0039	PIN,SPRING
A00101201	0040	SPRING
A00101301	0041	PIN,ADJ.
BAE02042	0042	WASHER,LOCK TOOTH
BAC0404102	0043	SCREW,HEX.SOC.HD.
BAA030010	0044	SPRING PIN
BAF10252	0045	RING,RETAINING
BAB017124	0046	O-RING
A00101601	0047	VALVE STEM
BAB017076	0048	O-RING
A00101402	0049	LEVER,CYCLE
A00101702	0050	VALVE BODY
BAB016145	0051	O-RING
BAB016150	0052	O-RING
BAB016155	0053	O-RING
A00104702	0055	ROD
BAF22002	0056	RING,RETAINER
A02200202	0057	DRIVER GUIDE UNIT

A00104602	0058	PIN
A00102301	0059	CLINCHER LEVER
A01900601	0060	CLINCHER,LEFT
A00104501	0061	PIN
BAC0205142	0062	HEX.SOC.FLAT COUNTER SNK
A00102401	0063	LINK
A02300801	0064	SPACER
A01900501	0065	CLINCHER,RIGHT
BAC0605102	0066	SCREW,HEX.SOC.HD.
A02201802	0067	SPRING,LEAF
A02201703	0068	TOP GUIDE
A02202401	0069	SPACER
A02200601	0070	ANVIL
BAA040022	0071	PIN,SPRING
A02200701	0072	PUSHER
A02201101	0073	SPRING
A02200501	0074	ANVIL CAP
A02201201	0075	SPRING
A02200901	0076	PLATE SUPPORT
BAC0205082	0077	SCREW,HEX.SOC.FLAT HD.
A02201603	0078	COIL GUIDE,L.H.
BAC0703063	0079	SCREW,ROUND HD.
A02200104	0080	MAGAZINE SEAT
A02201301	0081	PIN,COVER HINGE
BAF10252	0082	RING,RETAINING
BAA040020	0083	PIN,SPRING
A02201001	0084	LEVER,JAM RELEASE
A02200801	0085	PIN,JAM RELEASE
A02201401	0086	COVER
A02201901	0087	SPACER,JAM RELEASE
BAE03102	0088	WASHER
A02201503	0089	COIL GUIDE,R.H.
A02200302	0090	DRIVER
A02200402	0091	FORMER
BAA060016	0092	PIN,SPRING
BAC0604142	0093	SCREW,HEX.SOC.HD.
A02300902	0094	WASHER
A00102502	0095	BLOCK