
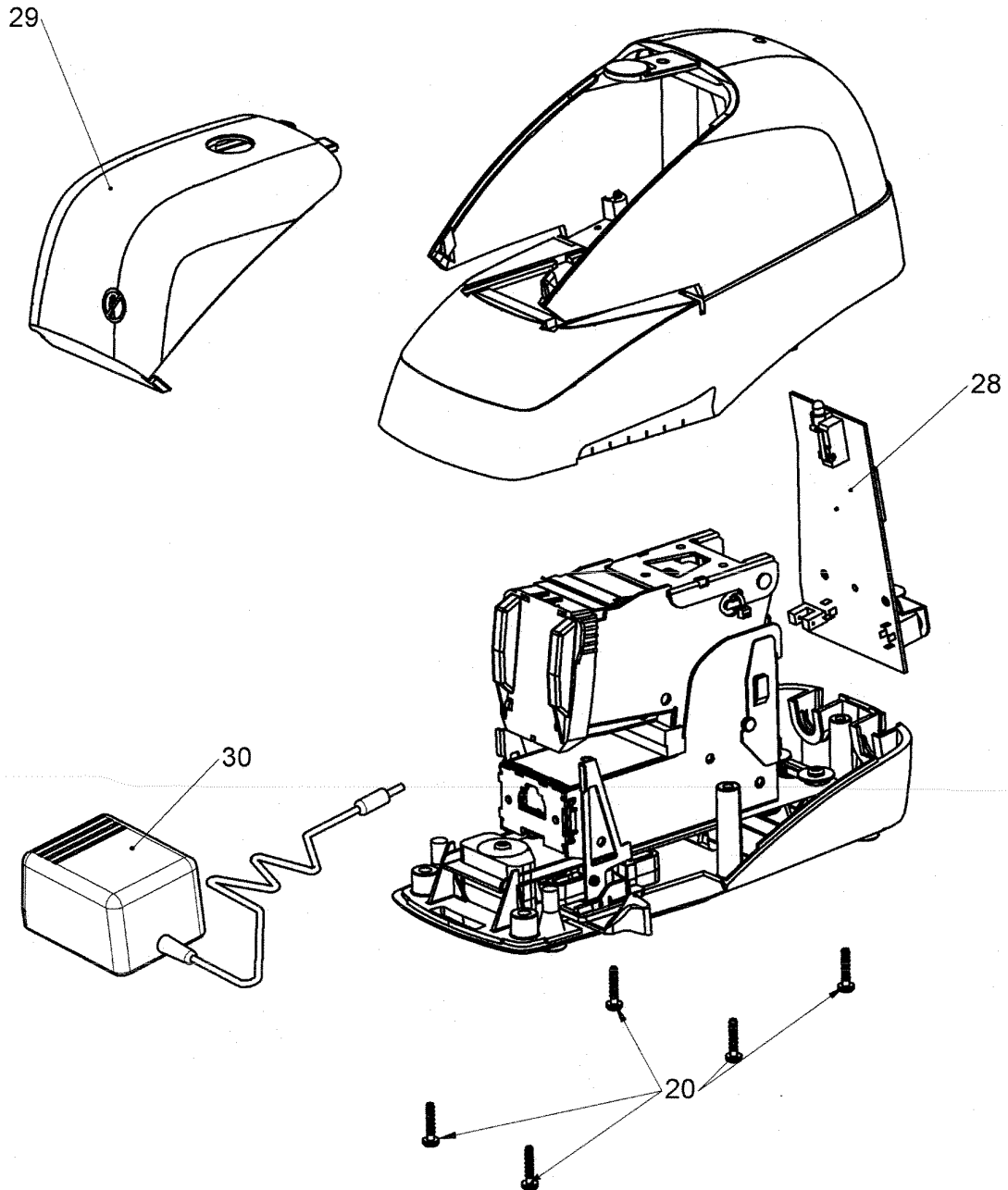

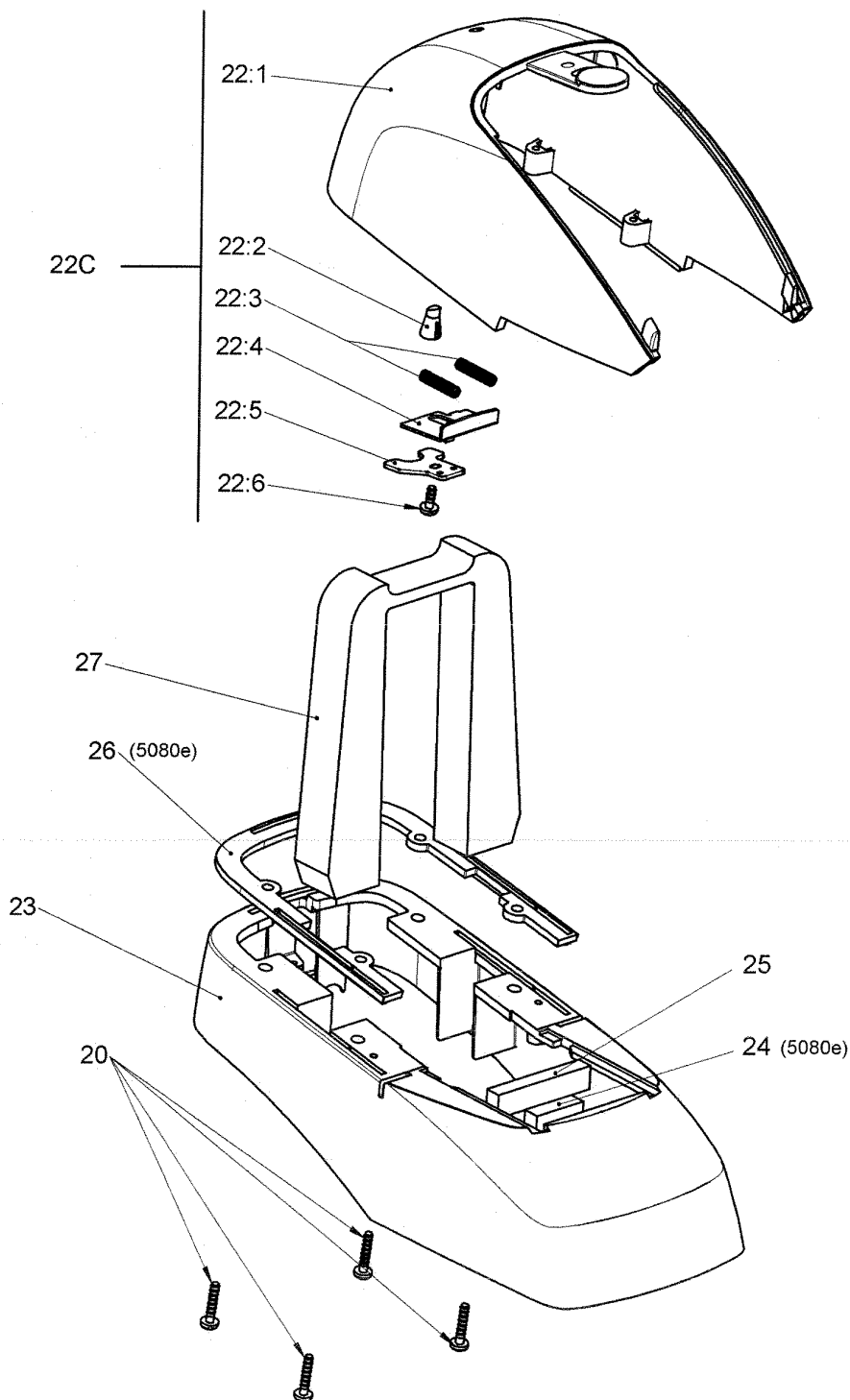



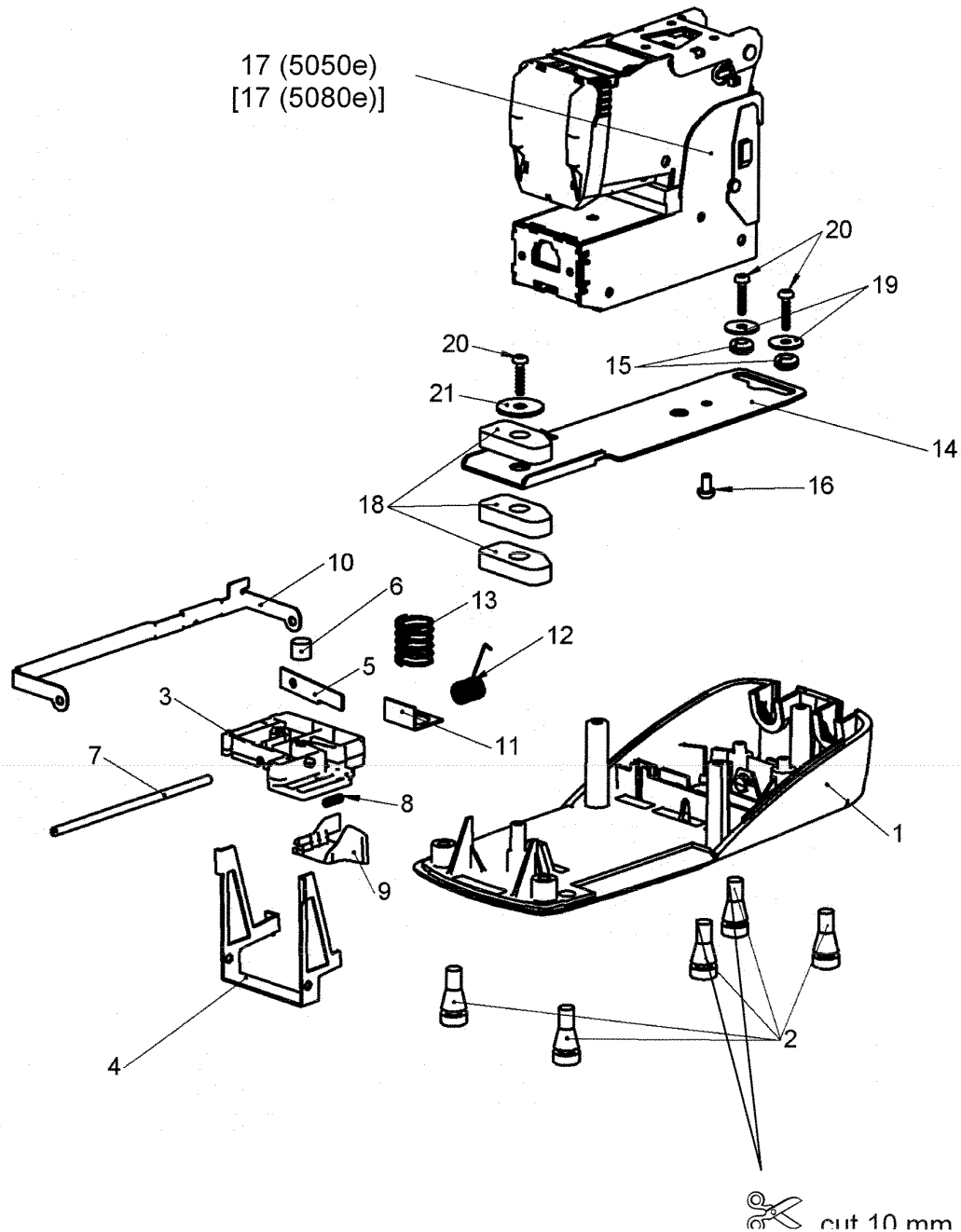
<b>Rapid</b> 		<b>SPARE PARTS LIST</b>				
Reg. By <b>kele</b>	Appr. By <b>peto</b>	Appr. Date <b>2004-04-21</b>	Page <b>5(5)</b>	Class <b>053</b>	No. <b>415141</b>	Rev. <b>03</b>
Info		Product name <b>5050E / 5080E</b>				




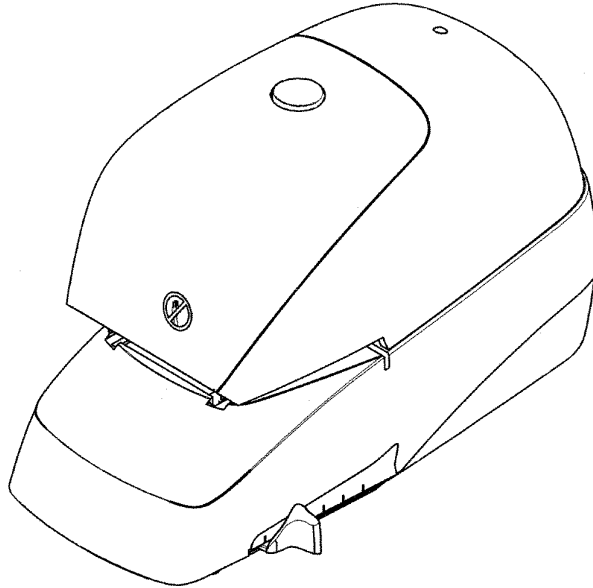
<b>Rapid</b> 		<b>SPARE PARTS LIST</b>				
Reg. By <b>kele</b>	Appr. By <b>peto</b>	Appr. Date <b>2004-04-21</b>	Page <b>4(5)</b>	Class <b>053</b>	No. <b>415141</b>	Rev. <b>03</b>
Info		Product name <b>5050E / 5080E</b>				



<b>Rapid</b> 		<b>SPARE PARTS LIST</b>				
Reg. By <b>kele</b>	Appr. By <b>peto</b>	Appr. Date <b>2004-04-21</b>	Page <b>3(5)</b>	Class <b>053</b>	No. <b>415141</b>	Rev. <b>03</b>
Info		Product name <b>5050E / 5080E</b>				



<b>Rapid</b> 		<b>SPARE PARTS LIST</b>				
Reg. By <b>kele</b>	Appr. By <b>peto</b>	Appr. Date <b>2004-04-21</b>	Page <b>1(5)</b>	Class <b>053</b>	No. <b>415141</b>	Rev. <b>03</b>
Info		Product name <b>5050E / 5080E</b>				




Pos No	Part No	Part Name	Qty
1	207562	5050e Base	1
2	207585	5050e Foot	5
3	207572	5050e Slider	1
4	207574	5050e Trigger	1
5	207573	5050e Lock plate	1
6	209928	5050e Damping pad	1
7	207583	5050e Slider pin	1
8	207639	5050e Control spring	1
9	207584	5050e Control lever	1
10	207580	5050e Trigger bridge	1
11	209236	5050e Slider stopper	1
12	207565	5050e Bridge spring	1
13	207576	5050e Suspension spring	1
14	207575	5050e Mounting plate	1
15	207578	5050e Elastic bush	2
16	154000	Screw	1
17	11251696	5050e Stapling unit Rapid 951	1
	11281396	5080e Stapling unit Rapid 981	1
18	207566	5050e Damping block	3
19	210069	Washer	2
20	167213	Screw	12
21	210649	Washer	1
22C	20776102	5080e Top housing unit (black)	1
22C	20776101	5050e Top housing unit (white)	1

Head office and factory: ISABERG RAPID AB, Box 115, S-330 27 Hestra, Sweden

Telephone 46-(0)370-33 95 00. Telefax 46-(0)370-33 95 02.

Internet [www.isaberg-rapid.com](http://www.isaberg-rapid.com)

<b>Rapid</b> 		<b>SPARE PARTS LIST</b>				
Reg. By <b>kele</b>	Appr. By <b>peto</b>	Appr. Date 2004-04-21	Page 2(5)	Class <b>053</b>	No. <b>415141</b>	Rev. <b>03</b>
Info		Product name <b>5050E / 5080E</b>				

22:01	20582202	5080e Top housing (black)	1
22:01	20582201	5050e Top housing (white)	1
22:02	207568	5050e Light guide	1
22:03	207644	5050e Visor spring	2
22:04	209277	5050e Visor switcharm	1
22:05	209528	5050e Cover plate	1
22:06	210157	Screw	1
23	212268	5080e Lower housing unit (black)	1
23	212267	5050e Lower housing unit (white)	1
24	219332	5080e Sealing strip	1
25	182220	5050e Sealing strip	1
26	207567	5080e Spacer	1
27	209931	5050e Sealing pad	1
28	207564	5050e Control unit	1
29	21045201	5050e Visor blue	1
29	21045202	5050e Visor red	1
29	21045203	5080e/5050e Visor grey	1
30	21045001	5050e/5080e Adapter, Europe, 230V	
30	21045002	5050e/5080e Adapter, USA, 115V	
30	21045003	5050e/5080e Adapter, UK, 230V	
30	21045004	5050e/5080e Adapter, Australia, 240V	
30	21045005	5050e/5080e Adapter, Japan, 100V	
30	21045006	5050e/5080e Adapter, China, 220V	
<b>EXTRA ACCESSORIES</b>			
	213237	5050e/5080e Table	1
	10880302	5050e/5080e/105e Pedal	1