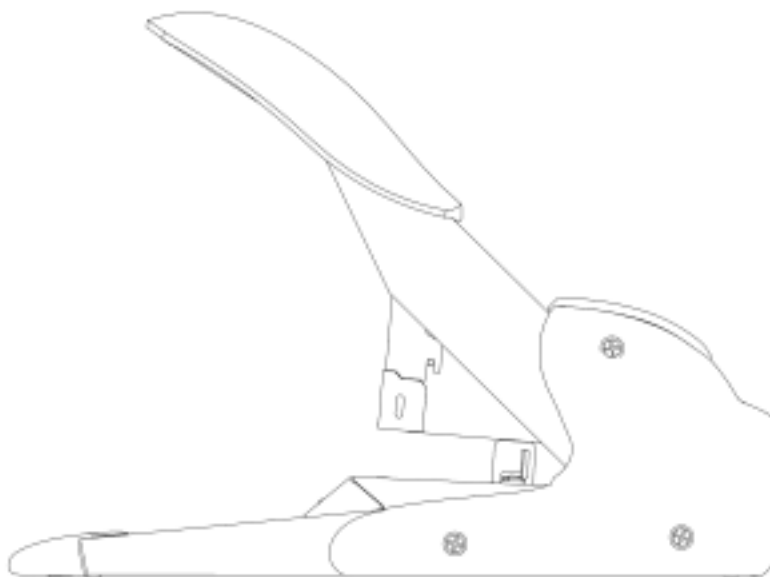


Reg. By kele	Appr. By peto	Appr. Date 2004-04-27	Page 1(3)	Class 053	No. 222051	Rev. 02
Info		Product name DUAX				



Pos No	Part No	Part Name	Qty
1	217007	Screw	6
2	217002	Cover R.	1
3	217004	Cover L.	1
4	217005	Release button	1
5	218452	Handle axle	1
6	175182	Handle	1
7	175455	Pin	1
8	175505	Spring	1
9	155424	Lockring	3
10	175430	Axle	1
11	175471	Lockaxle	1
12	217009	Release button	1
13	175521	Spring	1
14	175562	Lock axle	1
15	175661	Driver	1
16	175109	Front	1
17	175497	Axle	1
18 C*	175711	Lid Complete	1
18-1	175364	Lid	1
18-2	175463	Pulley	1
19 C	175695	Feeder complete	1
20 C**	175703	Magazine complete	1
20-1	175570	Spring	1
20-2	175232	Staplecrown support	1
21	217010	Spring	1
22	175091	Slide way	1
23	175513	Spring	1
24	216997	Axle	1
25	217001	Axle	1
26	217011	Spring	2

When ordering always state the part number

Head office and factory: ISABERG RAPID AB, Box 115, S-330 27 Hestra, Sweden

Telephone 46-(0)370-33 95 00. Telefax 46-(0)370-33 95 02.

Internet www.isaberg-rapid.com



SPARE PARTS LIST

Reg. By kele	Appr. By peto	Appr. Date 2004-04-27	Page 2(3)	Class 053	No. 222051	Rev. 02
Info		Product name DUAX				

27	216996	Plate	1
28	167016	Screw	2
29	216989	Cut mechanism	1
30	155408	Lockring	1
31	155218	Washer	1
32	218466	Axle	1
33	175075	Paper guide	1
34	175083	Lock grip	1
35	216991	Releasearm	1
36	216994	Axle	1
37	216993	Braces	2
38	216995	Axle	1
39	216992	Shackle	1
41	228891	Bearing clamp	1
42	216990	Rotating plate	1
43	217008	Plastic front	1
44	217003	Steel cover	1
45	175547	Foot	4
46	217000	Foam- rubber	1
47	216998	Base plate	1
48	218262	Screw	1
49	217006	Handle strip	1

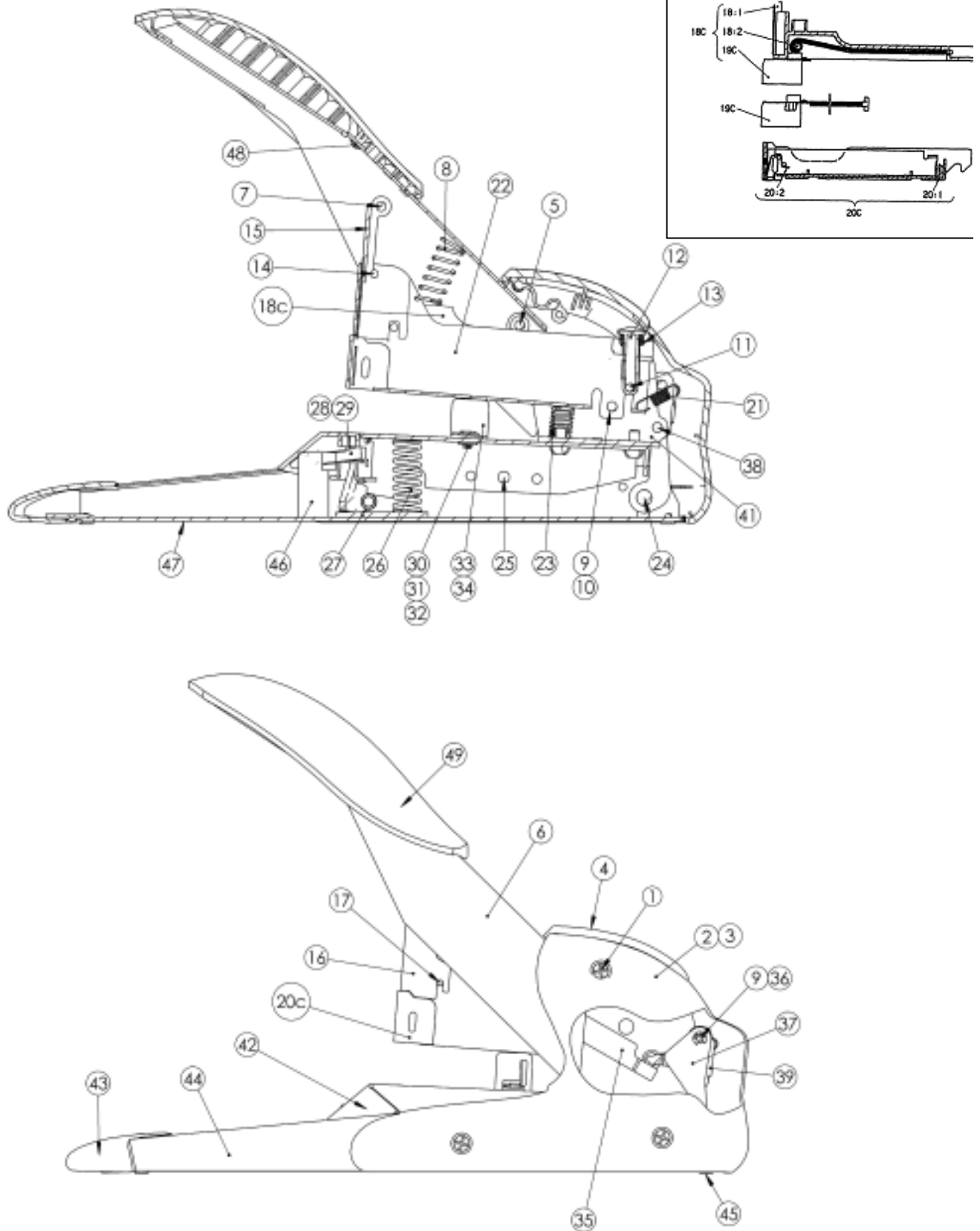
When ordering always state the part number

Head office and factory: ISABERG RAPID AB, Box 115, S-330 27 Hestra, Sweden

Telephone 46-(0)370-33 95 00. Telefax 46-(0)370-33 95 02.

Internet www.isaberg-rapid.com

Reg. By kele	Appr. By peto	Appr. Date 2004-04-27	Page 3(3)	Class 053	No. 222051	Rev. 02
Info		Product name DUAX				



When ordering always state the part number
Head office and factory: ISABERG RAPID AB, Box 115, S-330 27 Hestra, Sweden
Telephone 46-(0)370-33 95 00. Telefax 46-(0)370-33 95 02.
Internet www.isaberg-rapid.com