



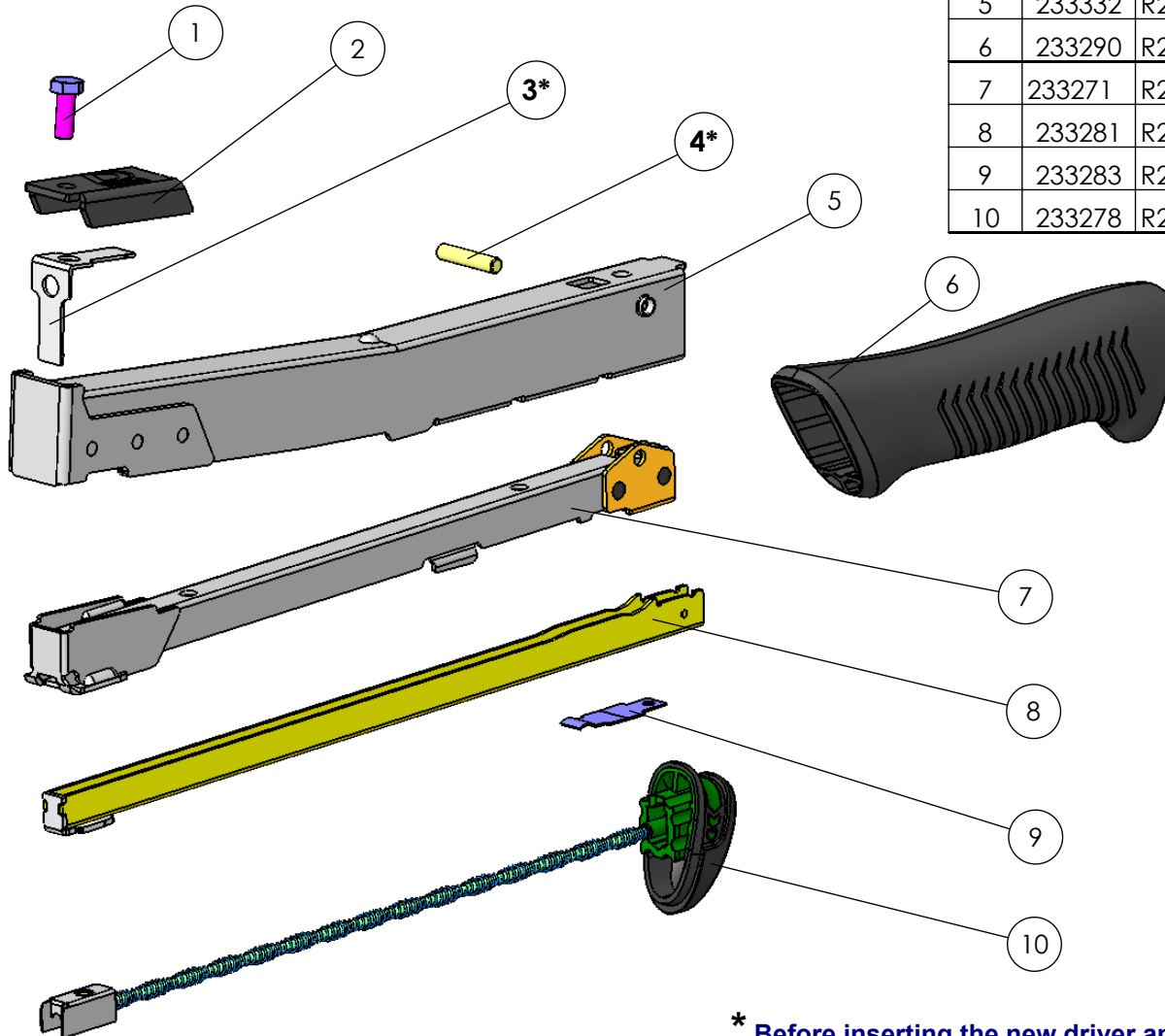
Spare Parts List

Doc. class	Dwg no.	Rev.
030	242944	01

Created by jaeb	Modified by jaeb	Approved by jaeb
Date 2007-06-15	Scale ---	Approval date 2007-08-16

Designation R211 Spare parts list

Pos.	Part no.	Description	Benämning
1	220278	M6 Screw	M6S M6x16 ESLOK
2	233292	R211 Cover plate	R211 Täckplåt
3	233294	R211 Reversible driver	R211 Dubbeldrivare
4	233293	R211 Connecting shaft	R211 Upphångningsaxel
5	233332	R211 F.Frame	R211 F.Kåpa
6	233290	R211 Handle	R211 Handtag
7	233271	R211 Magazine complete	R211 K.Magasin
8	233281	R211 Staple rail complete	R211 K.Klammerskena
9	233283	R211 Locking spring	R211 Slutstyckesfjäder
10	233278	R211 Feeder piston complete	R211 K.Matarstång



*** Before inserting the new driver and connecting shaft spare parts, we advice to grease them.**